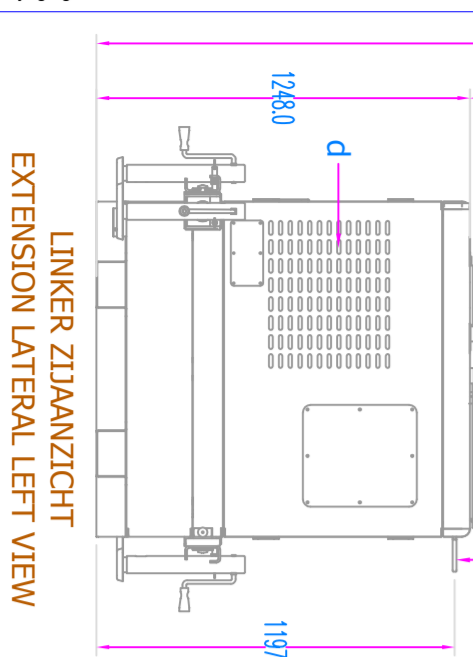
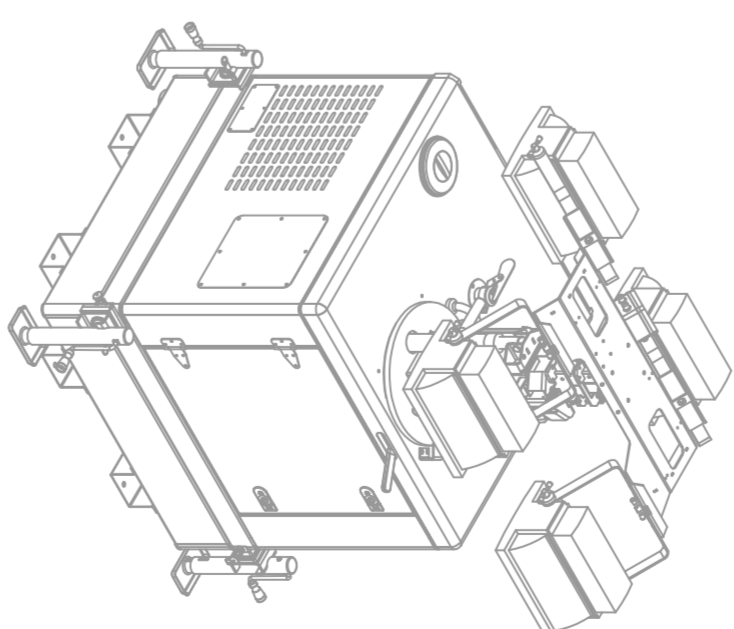


ISOMETRISCH AANZICHT  
ISOMETRIC VIEW



NOTITIES	NOTES
a TOEGANG TOT AFVOER	ACCESS TO DRAIN
b NOODSTOP	EMERGENCY STOP
c LUCHTINLAAT	AIR INLET
d LUCHTUITLAAT	AIR OUTLET
e HUISPUNT	LIFTING POINT
f UITLAAT Ø90 mm	EXHAUST OUTLET Ø90 mm
g TOEGANG RADIAATEUR	RADIATOR ACCESS
h BEVESTIGINGSPUNT	MONTING POINT
i STOPCONTACT	POWER BOX SOCKET
j EXTERNE BRANDSTOFVANSLUITING	EXTERNAL FUEL FILLING
k MAST ROTATIE SLOT	MAST ROTATION LOCK

BRANDSTOF-CAPACITEIT / TANK CAPACITY : 200 LITERS

Motor/Engine	Motor model / engine model
YANMAR	3TNV76GGEH

SURFACE ROUGHNESS NEN 9634		ISO SYSTEM OF LIMITS AND FITS NEN-ISO 286-1-EN-2		GEOMETRIC TOLERANCES NEN-ISO 1101	
THIRD ANGLE PROJECTION		SCALE:		DRAWN BY:	
		UNITS: MM		DEPARTMENT:	
DATE:		CHECKED:		NOTES:	
BRINKMANN & NIEMEIJER MOTOREN B.V.		DESCRIPTION:		BENAMING DRAWINGNR.:	
T1-00008-BOX				SHEET SIZE	
				A2	