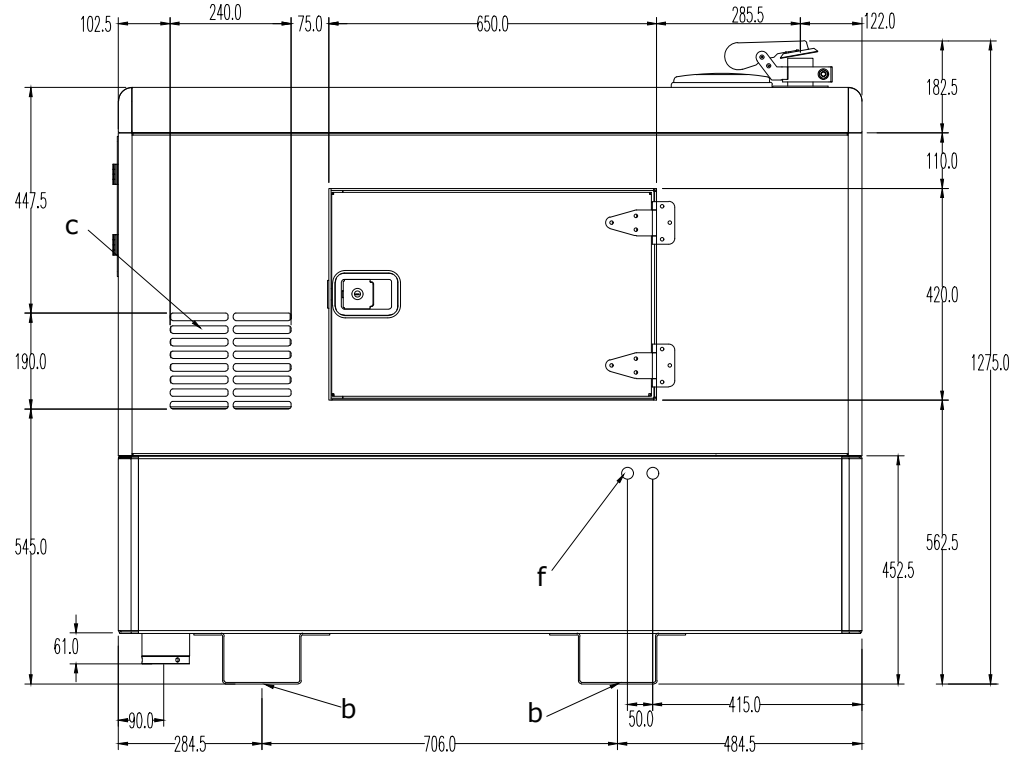
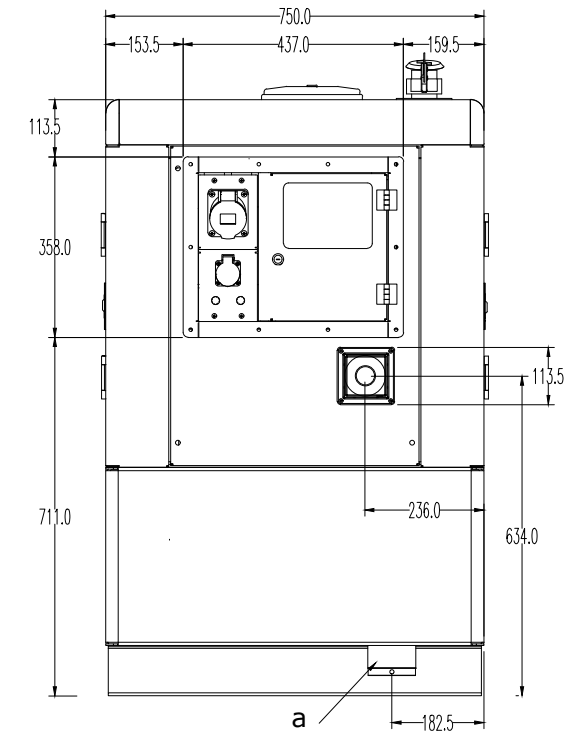


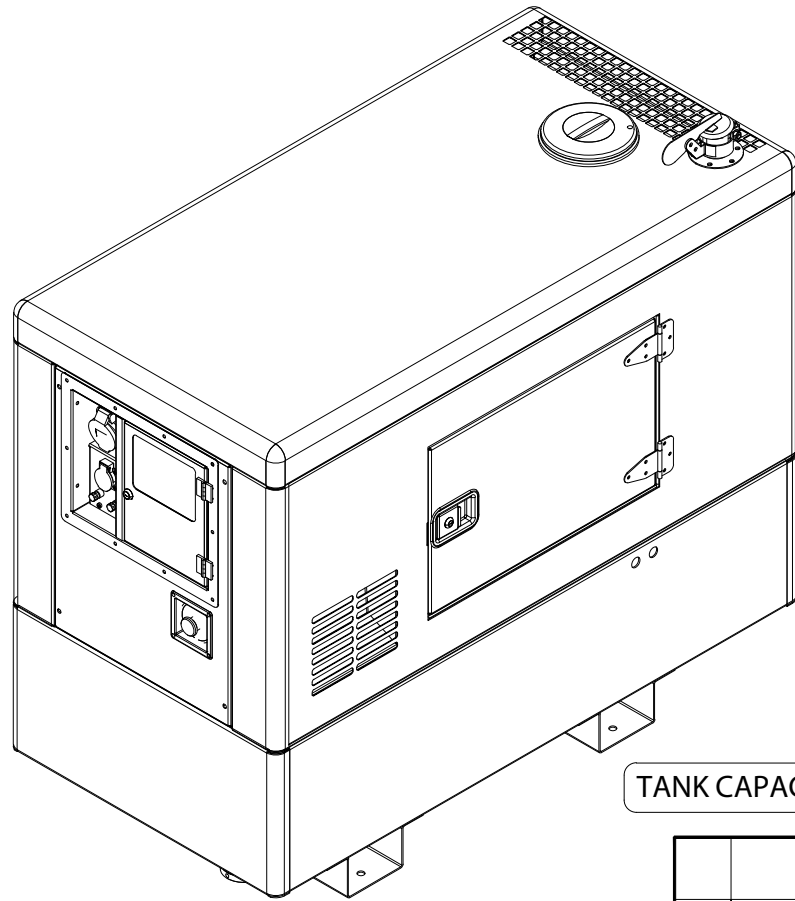
VOORAANZICHT  
FRONT VIEW



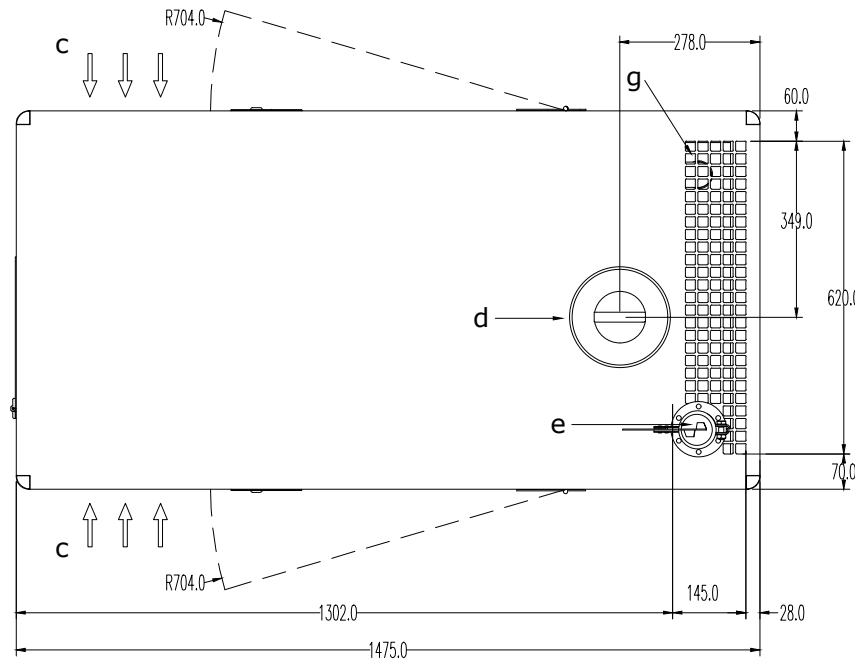
AANZICHT RECHTS  
LATERAL RIGHT VIEW



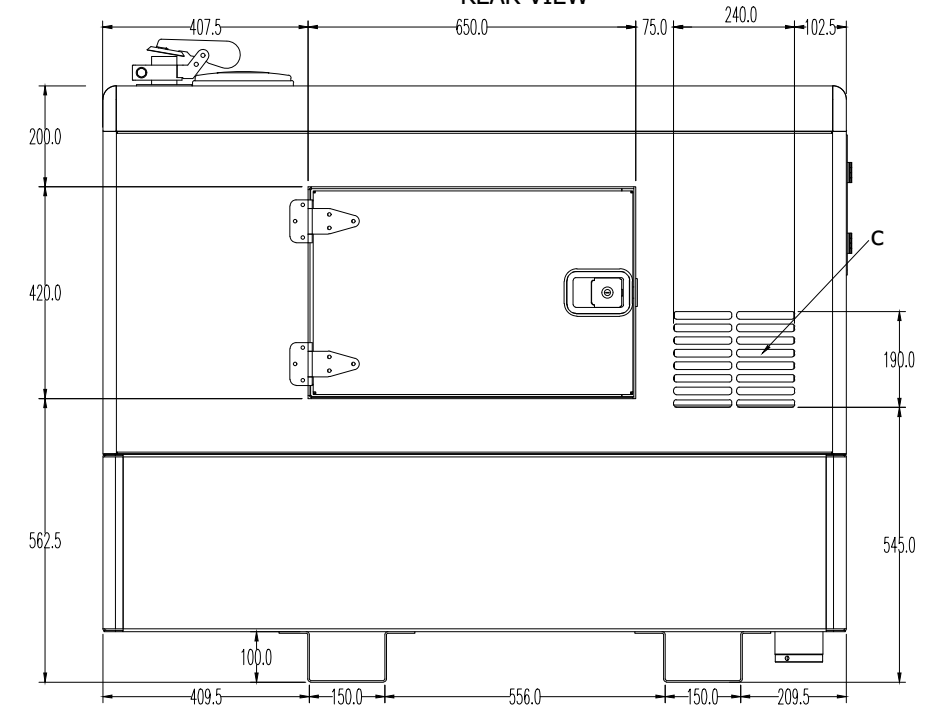
ACHTERAANZICHT  
REAR VIEW



ISOMETRISCH AANZICHT  
ISOMETRIC VIEW



VISTA SUPERIOR  
UPPER VIEW



AANZICHT LINKS  
LATERAL LEFT VIEW

TANK CAPACITEIT / TANK CAPACITY : 100 LITERS

	NOTITIES	NOTES
a	TOEGANG TOT AFTAP	ACCESS TO DRAIN
b	BEVESTIGINGSPUNT (4 x Ø16 mm)	MOUNTING POINT (4 x Ø16 mm)
c	LUCHTINLAAT	AIR INLET
d	RADIATEUR TOEGANG	RADIATOR ACCESS
e	UITLAAT Ø50 mm	EXHAUST OUTLET Ø50 mm
f	EXTERNE BRANDSTOFAANSLUITING	FOR EXTERNAL FUEL SUPPLY CONNECTIONS Ø24 mm
g	LUCHTUITLAAT	AIRLET OUTLET

SURFACE ROUGHNESS NEN 3634	ISO-SYSTEM OF LIMITS AND FITS NEN-ISO 286-1 EN-2	GEOMETRIC TOLERANCES NEN-ISO 1101
THIRD ANGLE PROJECTION	SCALE:	DRAWN BY:
	UNITS: MM	DEPARTMENT:
	DATE:	CHECKED:
		DESCRIPTION:
		BENAMING GI-00048-A10
		DRAWINGNR.:
		SHEET SIZE: A2