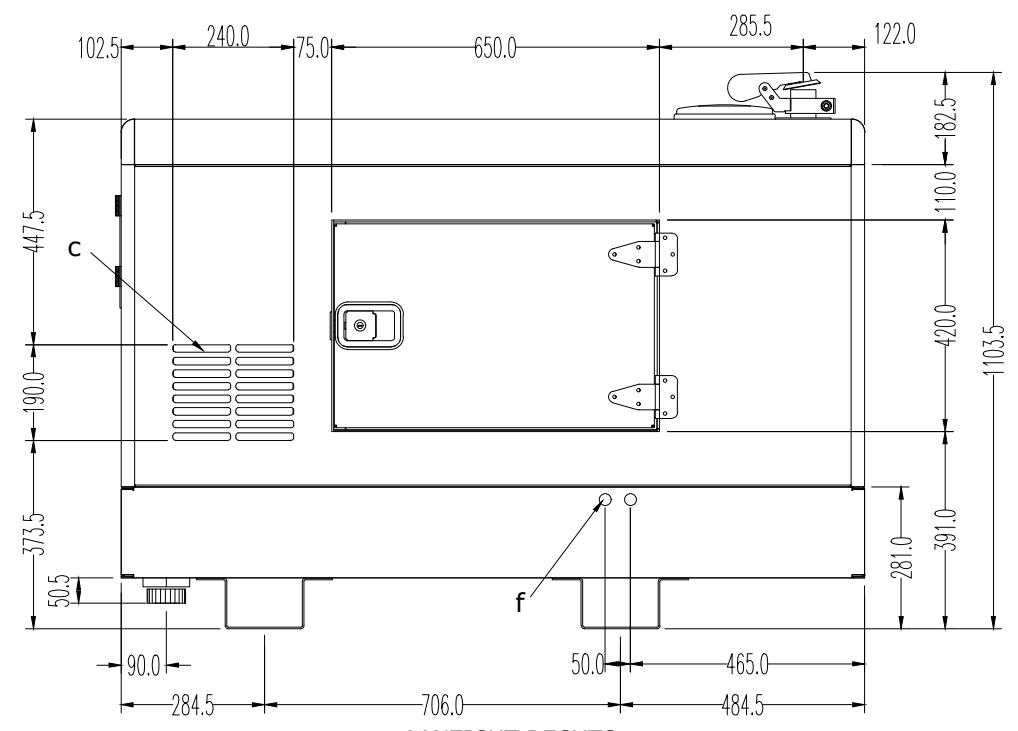
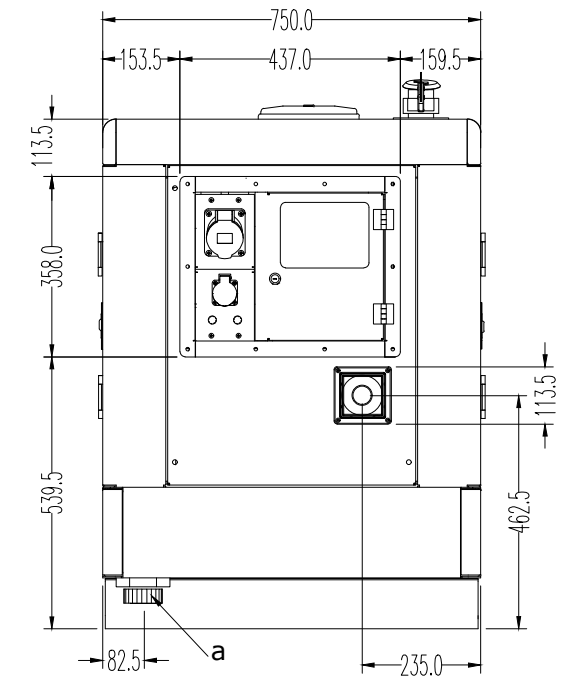


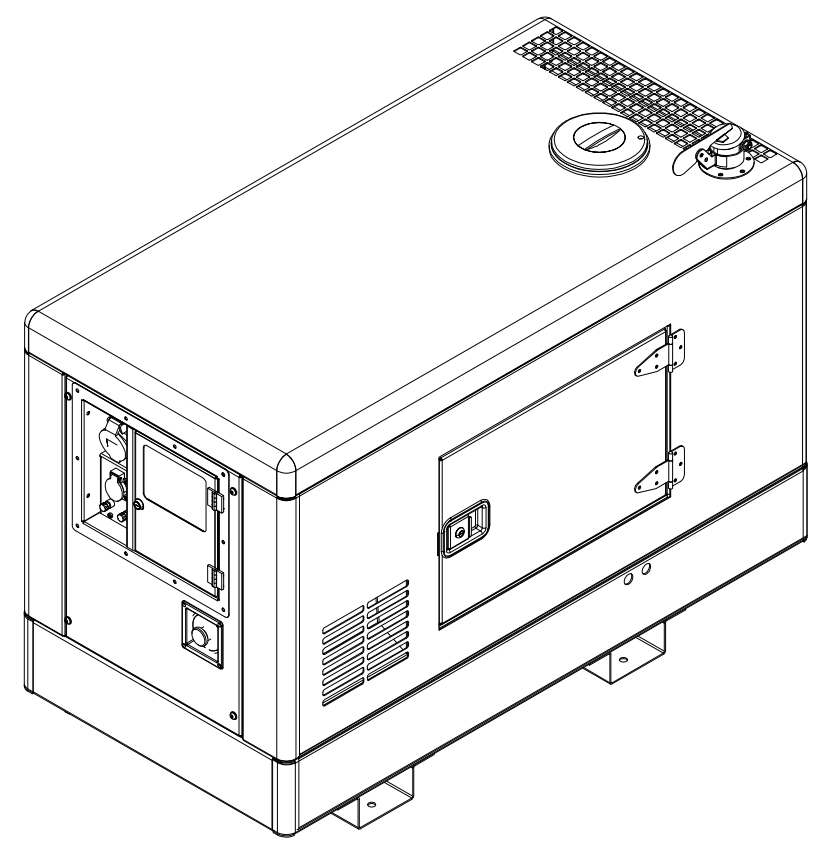
VOORAANZICHT
FRONT VIEW



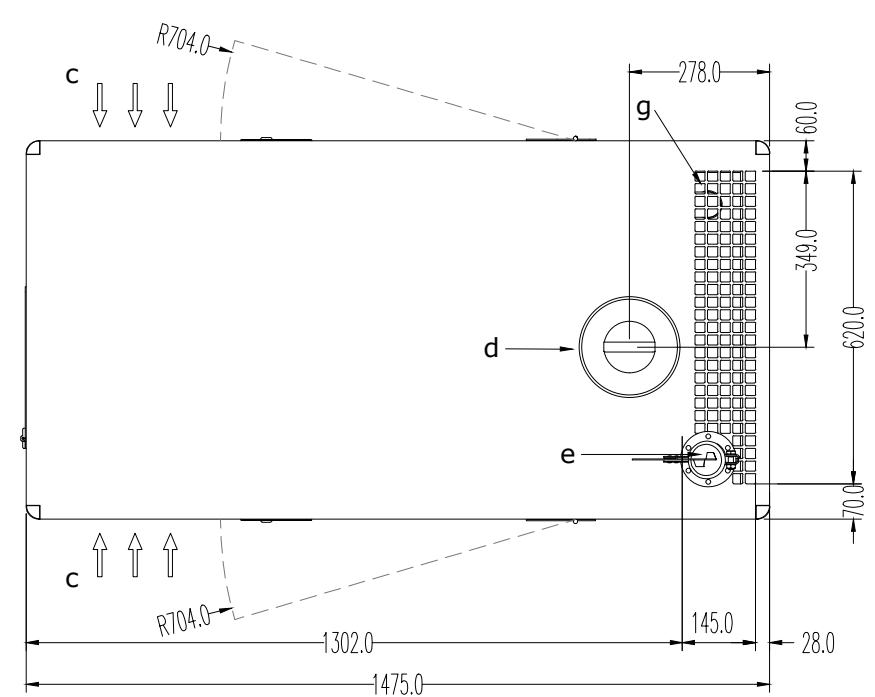
AANZICHT RECHTS
LATERAL RIGHT VIEW



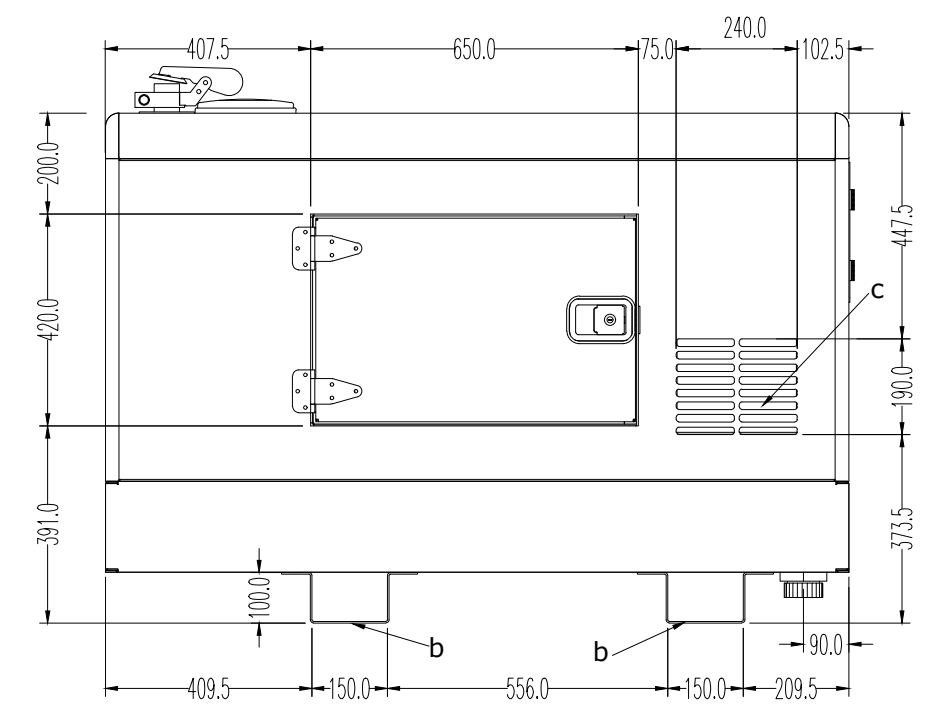
ACHTERAANZICHT
REAR VIEW



VISOMETRIC VIEW



BOVENAANZICHT
UPPER VIEW



AANZICHT LINKS
LATERAL LEFT VIEW

Motor/Engine	Type / Model
YANMAR	3TNM68GHFCG
YANMAR	3TNV76GGEH
YANMAR	3TNV88BGEH

LEGENDA		NOTES
a	AFTAP	ACCESS TO DRAIN
b	BEVESTIGING (4 x Ø16 mm)	MOUNTING POINT (4 x Ø16 mm)
c	KOELLUCHT TOEVOER	AIR INLET
d	TOEGANG RADIATEUR	RADIATOR ACCESS
e	UITLAAT Ø50 mm	EXHAUST OUTLET Ø50 mm
f	DOORVOER T.B.V. EXTERNE TANK	FOR EXTERNAL FUEL SUPPLY CONNECTIONS Ø24 mm
g	KOELLUCHT AFVOER	AIRLET OUTLET

SURFACE ROUGHNESS NEN 3634	ISO-SYSTEM OF LIMITS AND FITS NEN-ISO 286-1 EN-2	GEOMETRIC TOLERANCES NEN-ISO 1101	
THIRD ANGLE PROJECTION 	SCALE:	DRAWN BY:	
	UNITS: MM	DEPARTMENT:	
	DATE:	CHECKED:	
		DESCRIPTION:	BENAMING GI-00004-A10 22I DRAWINGNR.: SHEET SIZE: A3