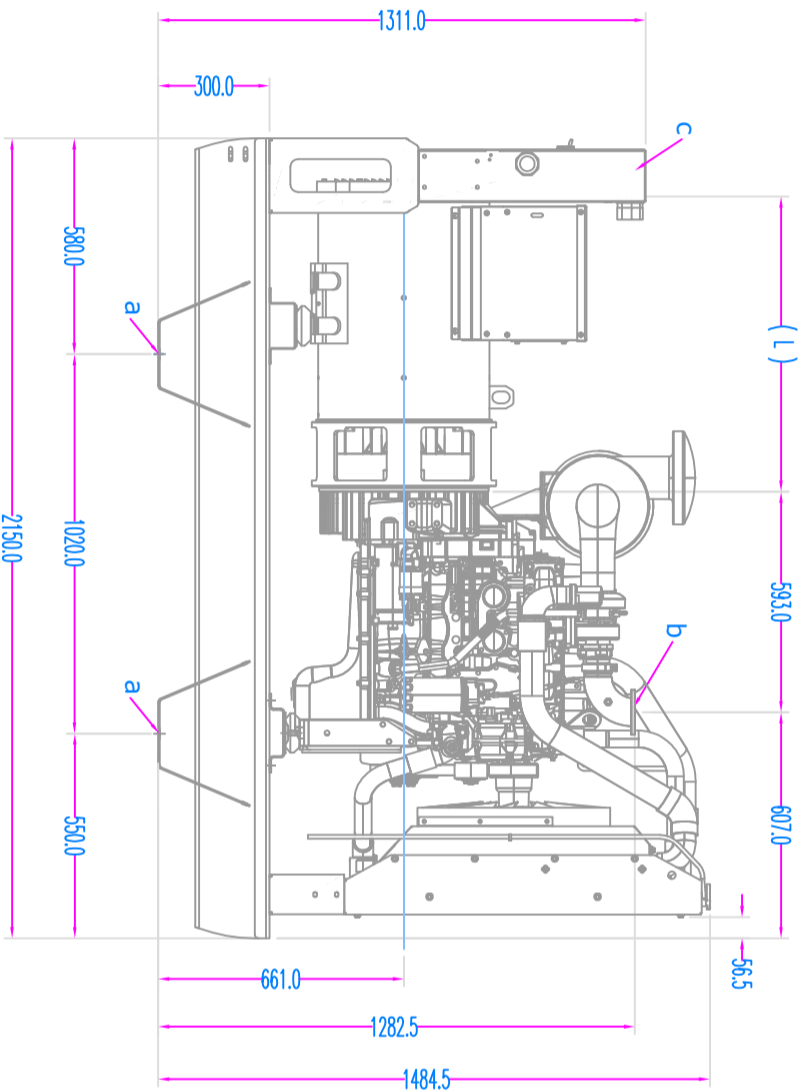
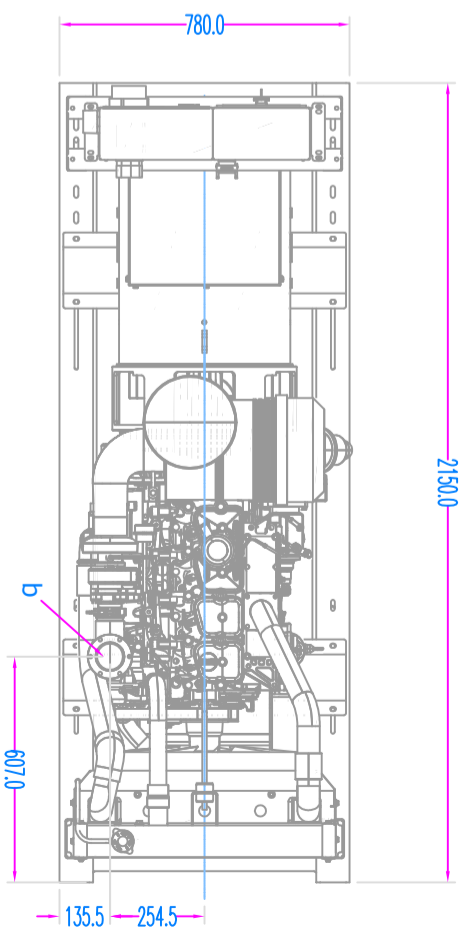


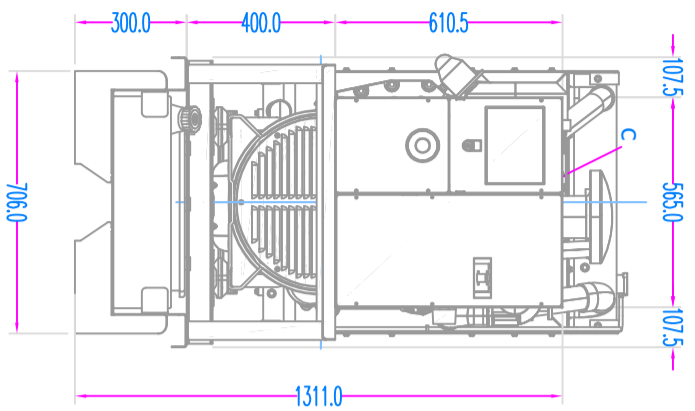
VOORAANZICHT  
FRONT VIEW



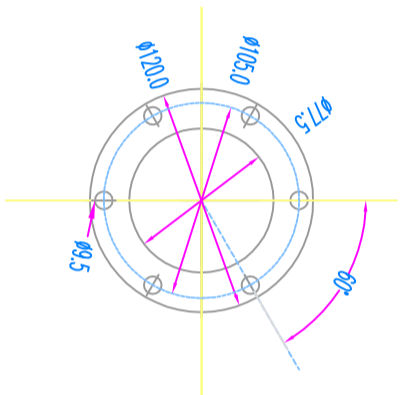
ZIJAAANZICHT RECHTS  
LATERAL RIGHT VIEW



BOVENAANZICHT  
UPPER VIEW



ACHTERANZICHT  
REAR VIEW



DETAILS UITLAAT  
/ DETAIL EXHAUST FLANGE

SCHAAL / SCALE : 1/3

BRANDSTOF CAPACITEIT / TANK CAPACITY : 145 LITER

| NOTITIES                          | NOTES                         |
|-----------------------------------|-------------------------------|
| a BEVESTIGING OP FRAME (4x Ø16mm) | FLOOR TO FASTENING (4x Ø16mm) |
| b UITLAAT UITGANG Ø77.5 mm        | EXHAUST OUTLET Ø77.5 mm       |
| c OPTIONEEL PANEEL CM1+CP2        | OPTIONAL BOX CM1+CP2          |

| Motor/Engine | Generator/Alternator | Gen. model / Alternator model | L           |          |
|--------------|----------------------|-------------------------------|-------------|----------|
|              |                      |                               | WITHOUT PMG | WITH PMG |
| NEF45TM2A    | STAMFORD             | UCI274C                       | 736         | 799      |
| NEF45TM3     | STAMFORD             | UCI274D                       | 736         | 799      |
| NEF45TM5     | MECALTE              | UCI274E                       | 736         | 799      |
|              |                      | ECP 34-2S/4                   | 760         | -        |

|                                       |  |   |  |                                      |  |
|---------------------------------------|--|---|--|--------------------------------------|--|
| SURFACE ROUGHNESS<br>NEN 3634         |  | ISO-SYSTEM OF LIMITS AND FITS<br>NEN-ISO 286-1 EN-2 |  | GEOMETRIC TOLERANCES<br>NEN-ISO 1101 |  |
| THIRD ANGLE PROJECTION                |  | SCALE:  |  | NOTES:                               |  |
| UNITS: MM                             |  | DRAWN BY:   |  | DRAWINGNR.:                          |  |
| DATE:                                 |  | DEPARTMENT:   |  | SHEET SIZE:                          |  |
| CHECKED:                              |  | BENAMING  |  | A3                                   |  |
| DESCRIPTION:                          |  | GEE-00217-K4  |  |                                      |  |
| BRINKMANN & NIEMEIJER<br>MOTOREN B.V. |  |   |  |                                      |  |