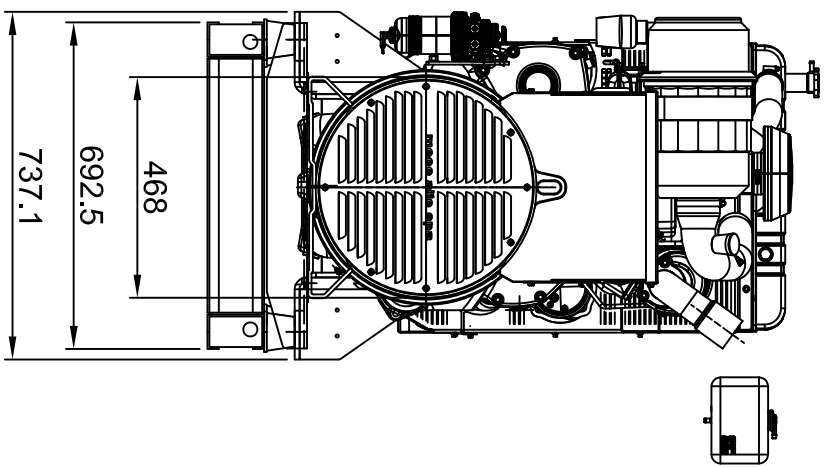
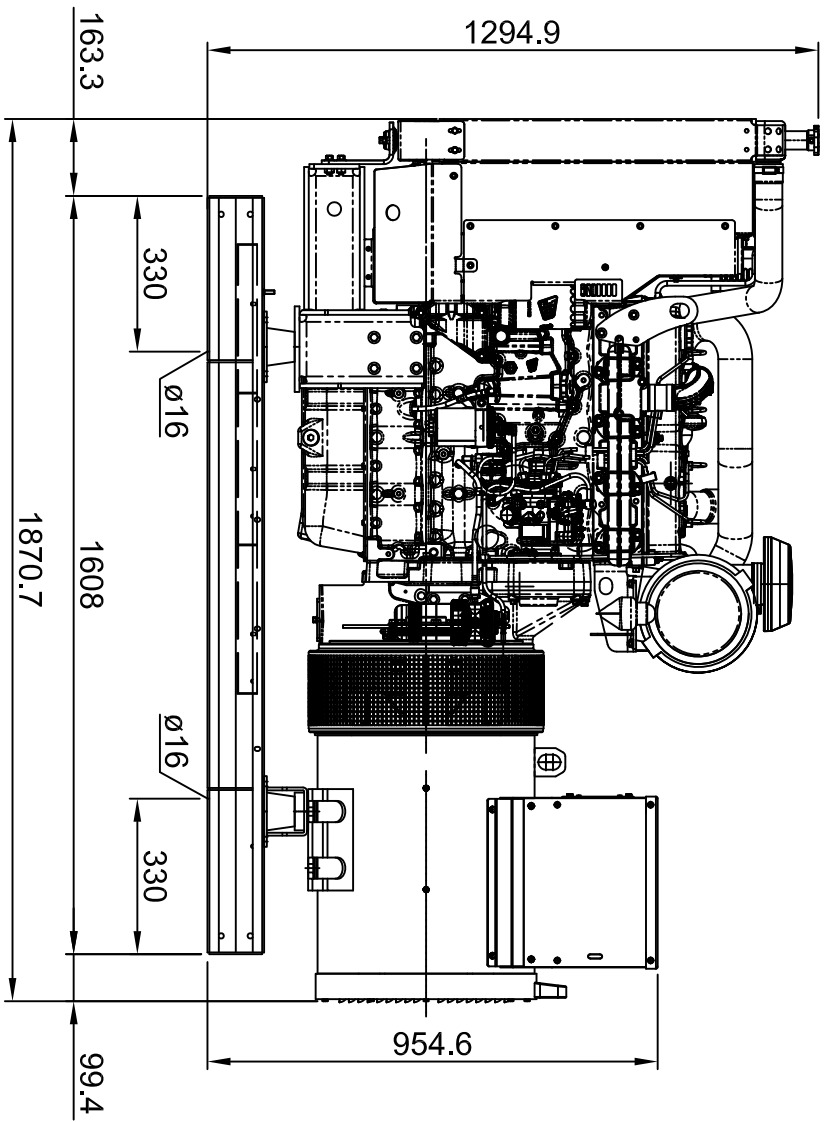
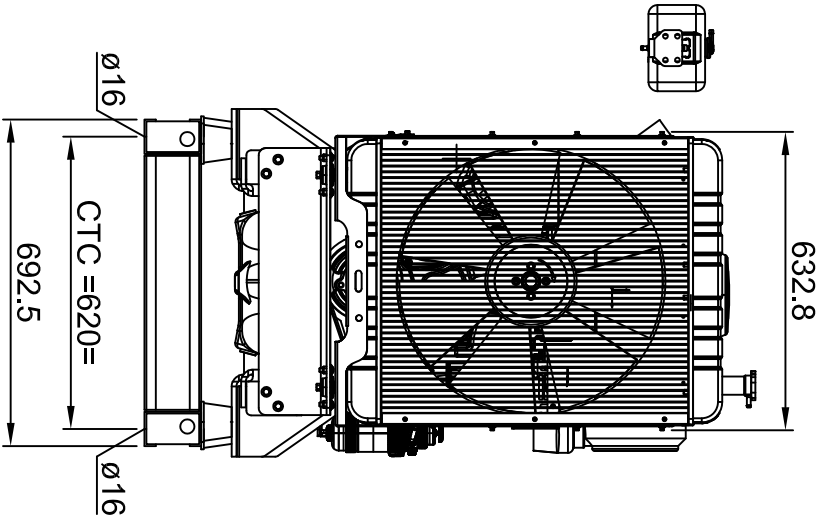

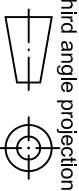


80 kVA



**PRELIMINARY
DRAWING**

BRINKMANN & NIEMEIJER MOTOREN BV				DE MAAS BV		Draw. by:	DUDJ
						Date:	24-07-2009
Mod.	Description:	Date:	03-09-2009	Sign:	DUDJ	Art.nr.:	
A	Various					Name:	
B							
C							
General tolerance ± 1.0 mm, unless otherwise specified							
Metal removal free from burrs							
Your reference:							
				Third angle projection		Drawing nr.:	
						B&N-15	
				JCB 444 G-TC2 / Mecc Alte ECP34-1S/4		Dimensions: mm.	
						Check. by:	
						Scale:	~
						Size	A 3