



Technical File – JCB 448 TGWA-72
e11*2016/1628*2016/1628AC1/D*0332*00

CCNR CERTIFICATION

IWA STAGE V

TECHNICAL FILE

JCB ENGINE 448 TGWA-72

JCB Power Systems Limited

Dove Valley Park
Foston
Derbyshire
DE65 5BX
UNITED KINGDOM

GENERAL DATA

Brand engine:	JCB
Engine family:	448 TGWA-72
Engine configuration:	In-line 4 cylinder
Bore / Stroke:	106 X 135 mm
Capacity:	4.765 litres
Combustion system:	Direct injection
Induction system:	Turbocharged
Compression ratio:	18 :1
Max. inlet depression:	50 mbar = 5 kPA (dirty air filter)
Max. exhaust back pressure:	90 mbar = 9 kPA

PERFORMANCE DATA*

Engine Model	448 TGWA-72
Rated Speed r/min	1500
Rated Power (Prime power) kW _m	72
Torque @ Prime Power, Rated Speed Nm	458
BMEP bar	
Prime Power, Rated Speed	13.61
Standby Power	14.96
Governor speed droop – % Rated Speed @ Prime Power	≤ 5
Fuel Consumption g/kW.h	
At Prime Power, Rated Speed	224

* Performance measured according to ISO 14396 after 50 hours running.
Standby Power is subject to a production tolerance of ± 5%.

EXHAUST EMISSION TYPE APPROVAL

Emission Standard	Type Approval Certificate
EU 2016/1628 Stage V	e11*2016/1628*2016/1628AC1/D*0332*00
Date type approval	21-Dec-18

LABEL

The statutory marking(s) is printed on the engine identification label, which is bonded on the rocker cover.

Photo (example only):



IDENTIFICATION MARK OF ENGINE COMPONENTS

JCB Power Systems Limited

Dove Valley Park
Foston
Derbyshire
DE65 5BX
UNITED KINGDOM



Technical File – JCB 448 TGWA-72
e11*2016/1628*2016/1628AC1/D*0332*00

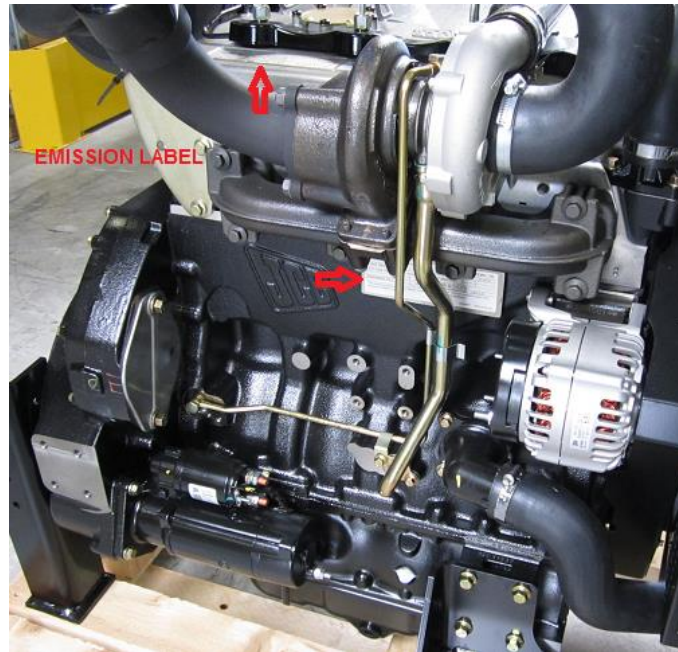
Name	Number	Remark	Location
Fuel injection pump	320/06911		Plate on the injection pump body
Fuel injection nozzle	320/06913		On surface holder body
Piston	320/03395		On top piston
Cylinder head	320/02769		On top head
Camshaft	320/03710		End side
Turbocharger	320/06082		Plate turbo
Crankshaft	320/03338		End side

JCB Power Systems Limited

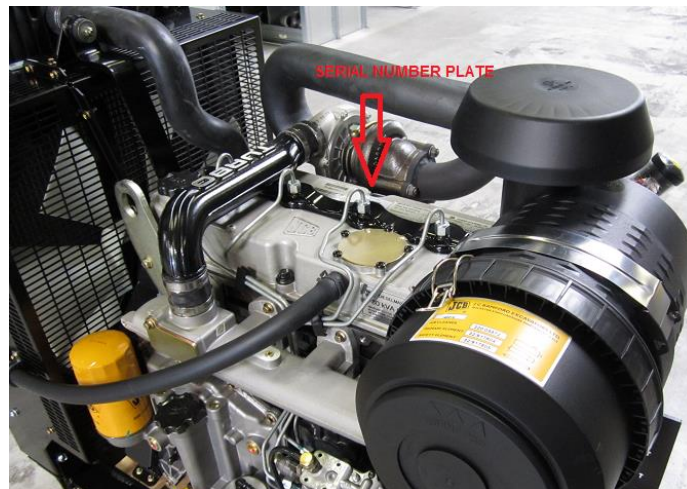
Dove Valley Park
Foston
Derbyshire
DE65 5BX
UNITED KINGDOM

LOCATION OF ENGINE DATALABELS

Emission label:



Serial number plate:

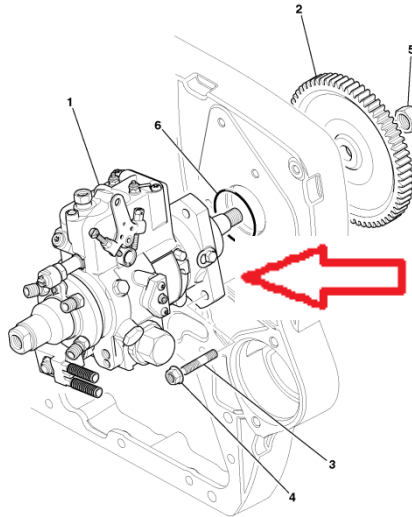


JCB Power Systems Limited

Dove Valley Park
Foston
Derbyshire
DE65 5BX
UNITED KINGDOM

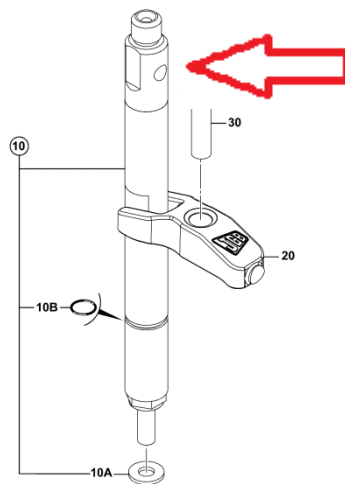
LOCATION OF PARTNUMBERS IN/ON THE ENGINE

Fuel injection pump	320/06911		Plate on the injection pump body
---------------------	-----------	--	----------------------------------



789910

Fuel injection nozzle	320/06913		On surface holder body
-----------------------	-----------	--	------------------------

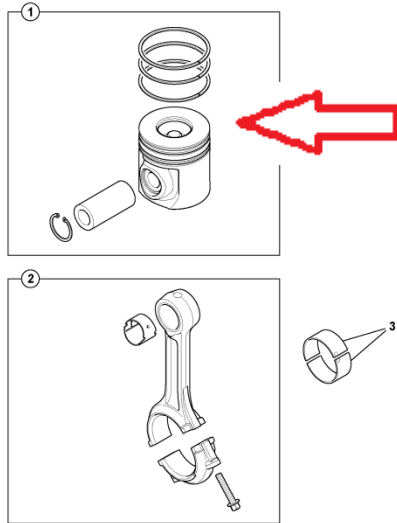


320-20164-2

JCB Power Systems Limited

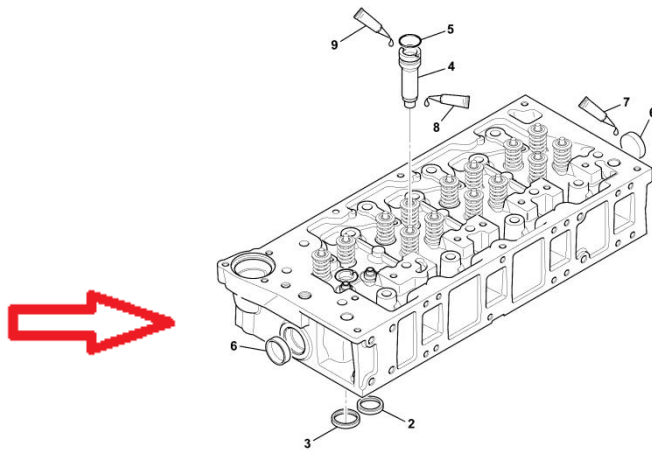
Dove Valley Park
Foston
Derbyshire
DE65 5BX
UNITED KINGDOM

Piston	320/03395		On top piston
--------	-----------	--	---------------



W00-10017-0-OOX
(734530)

Cylinder head	320/02769		On top head
---------------	-----------	--	-------------

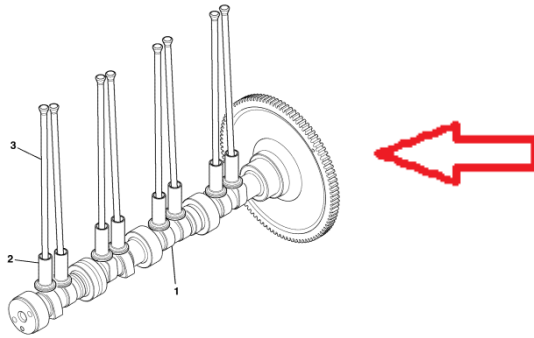


W00-10019-0-OOX

JCB Power Systems Limited

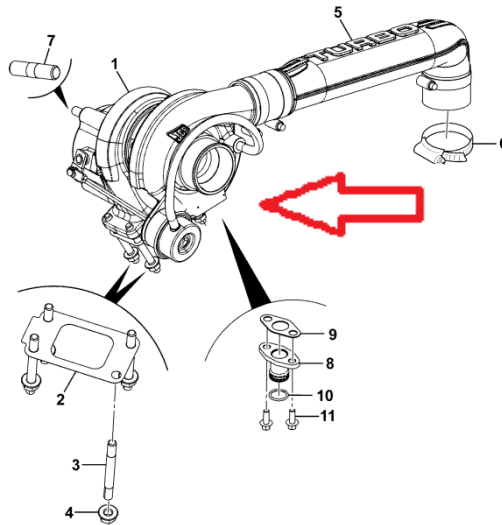
Dove Valley Park
Foston
Derbyshire
DE65 5BX
UNITED KINGDOM

Camshaft	320/03710		End side
----------	-----------	--	----------



OOXV0011460

Turbocharger	320/06082		On plate turbo
--------------	-----------	--	----------------

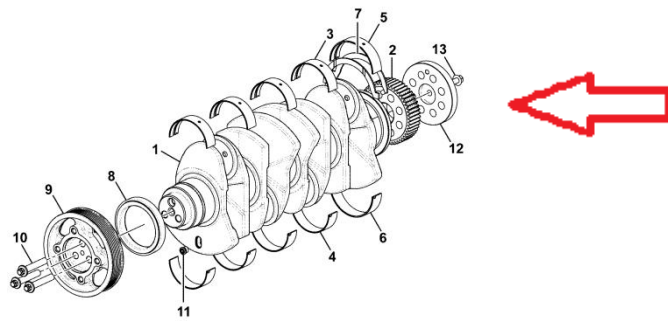


320-20167-3

JCB Power Systems Limited

Dove Valley Park
Foston
Derbyshire
DE65 5BX
UNITED KINGDOM

Crankshaft	320/03338		End side
------------	-----------	--	----------



320-20242-4

JCB Power Systems Limited

Dove Valley Park
Foston
Derbyshire
DE65 5BX
UNITED KINGDOM